

Diaphragm Seal

MIEPL make Sanitary Pressure Gauge are used in Food, Pharma, Dairy and Beverages industrial application. Having access to accurate pressure readings at all times is essential in hygienic processing environments such as the food and pharmaceutical industries. This also has the facility for quick removal from line and cleaning of diaphragm from time to time.

**FEATURES**

- ⇒ Integrated gauge seal assembly
- ⇒ Laser welded diaphragm
- ⇒ Reduced vibration/pulsation

APPLICATION

- ⇒ Sanitary, food & beverages
- ⇒ Pharmaceutical & paints
- ⇒ Food & Beverages

REFERENCE

- ⇒ EN 837-1

STANDARD SPECIFICATIONS

Dial size	: DN50 / DN63 / DN100
Range	: -1...40 bar
Mounting pattern	: Direct, Bottom connection
Process connection	: 1½" Sanitary connection
Seal filling fluid	: Food grade oil [-20°C to 140°C]
Ingress protection	: IP 65
Execution	: Dry but fillable

STANDARD PARAMETERS

Accuracy	: CL 1.6
Ambient Temperature	: -40...+65°C (without dampening liquid) : -20...+65°C (with dampening liquid)
Service Temperature	: 10...150°C max..
Pressure limits	: Steady pressure up to FS value : Fluctuating pressure up to 90% of FS value : Short time 1.3 x FS value for range up to 100 bar : Short time 1.15 x FS value for range above 100 bar
Weld joints	: TIG argon arc welding

MATERIAL OF CONSTRUCTION

Sensing Element	: Diaphragm
Case & Ring material	: AISI 304 SS (Bayonet type)
Diaphragm, Bourdon tube & Shank	: AISI 316L SS
Movement mechanism	: AISI 304 SS
Dial	: Aluminum, black graduation on white background
Pointer	: Fixed, aluminum, black powder coated
Gaskets, Blow off disc & filling plug	: Neoprene / NBR
Window	: Plexi glass

STANDARD PARAMETERS

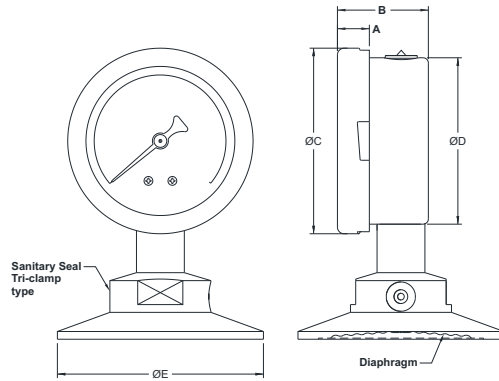
Window	: Plexi glass
Dampening liquid	: Glycerin 99.7%

TEMPERATURE EFFECT

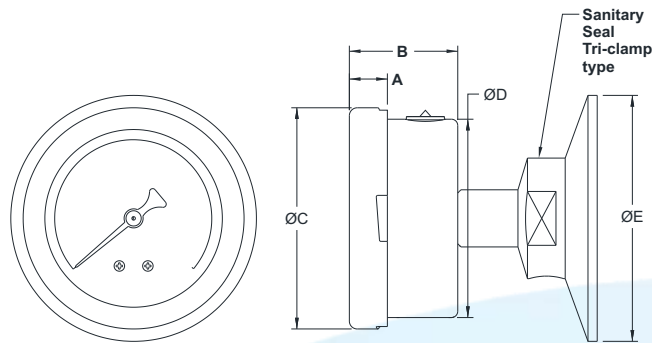
Please refer clause no 9.3 of EN 837-1

DRAWING

DIMENSIONAL DRAWING



Type - 1A						
DN		50			63	
Clamp Size	1½"	2"	2½"	1½"	2"	2½"
A	9	9	9	12	12	12
B	34	34	34	33	33	33
ØC	58.5	58.5	58.5	69.7	69.7	69.7
ØD	51	51	51	62.5	62.5	62.5
E	50.5	64	77.5	50.5	64	77.5
Weight (gm)	310	370	510	410	470	600



Type - 2A						
DN		50			63	
Clamp Size	1½"	2"	2½"	1½"	2"	2½"
A	9	9	9	12	12	12
B	34	34	34	33	33	33
ØC	58.5	58.5	58.5	69.7	69.7	69.7
ØD	51	51	51	62.5	62.5	62.5
E	50.5	64	77.5	50.5	64	77.5
Weight (gm)	310	370	510	410	470	600

All dimensions are in mm.

ORDERING CODE

MP24 - C - XXX - 1A - T15 - IP2 - E2

1. DIAL SIZE	50 mm / 2"	B				
	63 mm / 2½"	C				
	100 mm / 4"	D				
2. RANGE	Refer "Range Table"					XXX
3. MOUNTING PATTERN	Direct Bottom connection					1A
	Centre, Back connection					2A
4. PROCESS CONNECTION	1" Tri-clover connection					T01
	1½" Tri-clover connection					T15
	2" Tri-clover connection					T02
5. INGRESS PROCESS	IP 65					IP2
	IP 66					IP3
	IP 67					IP4
6. EXECUTION	Dry but fillable					E2
	Dampening liquid filled, glycerine					E4
7. OTHER OPTIONS	Shatterproof safety glassn	FC	Material test certificate 2.2	SM	Custom designed dial	WR
	5 - point calibration certificate	SA	SS tag plate, AISI 304 SS	WF	Dial tag marking	WT
	Material test certificate 3.1	SC	SS tag plate, AISI 316 SS	WG		

Ordering Example: **MP24 - C - XXX - 1A - T15 - IP2 - E2**

1. For Tri-clamp, Seal gasket and Bottom matting part, Can be Provided.