

*Economical*

**MIEPL** make SS Case Brass Pressure Gauges are based on the proven Bourdon tube measuring system. On pressurization, the deflection of the Bourdon tube, proportional to the incident pressure, is transmitted to the movement via a link and indicated. The modular design enables a multitude of combinations of case materials, process connections, nominal sizes and scale ranges. This is an economical version & mainly used in OEM Industry.

**FEATURES**

- Rugged construction
- Stainless steel case
- Dry / liquid filled

**APPLICATION**

- Hydraulic & pneumatics
- Pumps & compressors
- Diesel engines
- Water applications

**REFERENCE**

- EN 837-1

**STANDARD SPECIFICATIONS**

Dial size	: DN50 / DN63 / DN80 / DN100
Range	: -1...400 bar (DN50), -1...1,000 bar (DN63/DN80/DN100)
Mounting pattern	: Direct, Bottom connection
Process connection	: 1/4" NPT (M) / 1/4" BSP (M)
Ingress protection	: IP 65
Execution	: Dry but fillable

**STANDARD PARAMETERS**

Accuracy	: CL 1.6
Ambient Temperature	: -40...+65°C (without dampening liquid) : -20...+65°C (with dampening liquid)
Service Temperature	: 150°C max
Pressure limits	: Steady pressure up to 75% of FS value : Short time 1.3 x FS value for range up to 100 bar : Short time 1.15 x FS value for ranges 100 up to 600 bar : Short time 1.1 x FS value for ranges above 600 bar
Joints	: Silver alloy brazing / soldering

**MATERIAL OF CONSTRUCTION**

Sensing Element	: Bourdon Tube ( $\leq 100$ bar : C - type , $> 100$ bar : Helical)
Case & Ring material	: AISI 304 SS (Bayonet type)
Bourdon tube & Shank	: Brains
Movement mechanism	: Copper Alloy
Dial	: Aluminum, black graduation on white background
Pointer	: Fixed, aluminum, black powder coated
Gaskets & filling plug	: Silicon gasket & Neoprene filling plug
Window	: Plexi glass

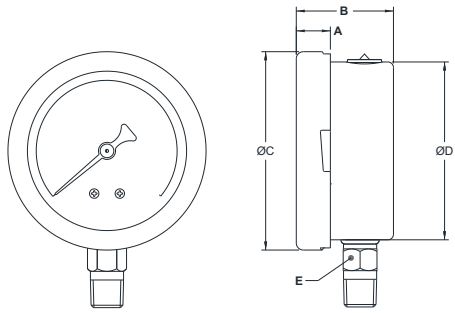
**STANDARD SPECIFICATIONS : DAMPENING LIQUID FILLED, GLYCERIN**

Window	: Safety glass
Dampening liquid	: Glycerin 99.7% [Service temperature up to 65°C]

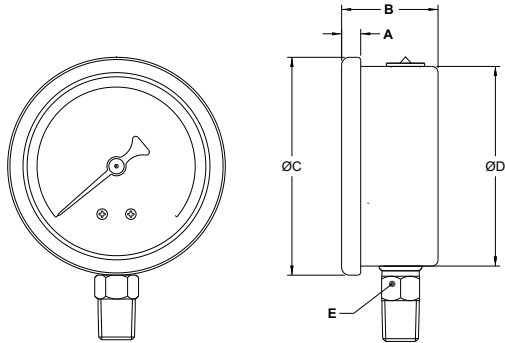
**TEMPERATURE EFFECT**

Please refer clause no 9.3 of EN 836-1

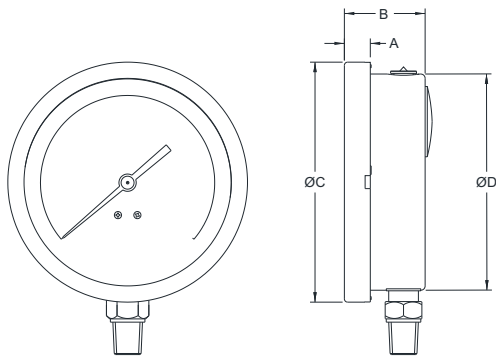
## DRAWING



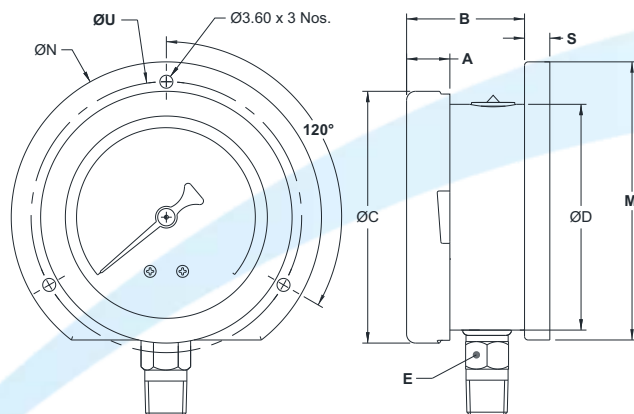
Type - 1A, (Bayonet ring)		
DN	50	63
A	9	12
B	34	33
ØC	58.5	69.7
ØD	51	62.5
E	A/F14	A/F14
Weight (gm)	140	260



Type - 1A, (Rolling ring)		
DN	50	63
A	5	5
B	32.5	31.5
ØC	57.5	68
ØD	51.5	62.5
E	A/F14	A/F14
Weight (gm)	130	250

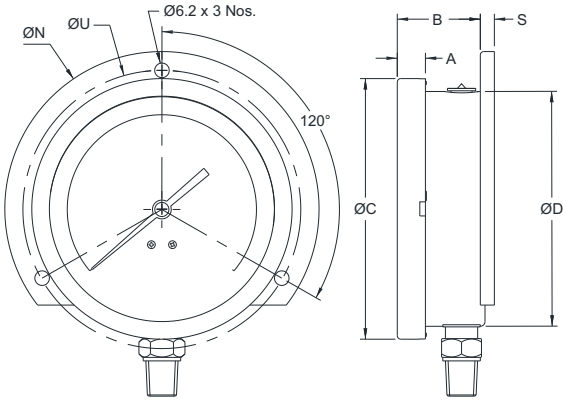


Type - 1A, (Bayonet ring)		
DN	80	100
A	9.5	12
B	33.5	38
ØC	89.5	111
ØD	80	100
E	A/F14	A/F14
Weight (gm)	340	410

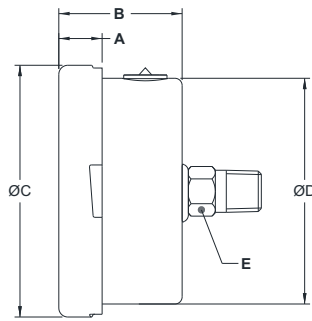
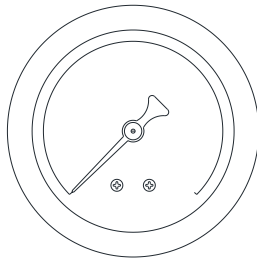


Type - 1B, (Bayonet ring)	
DN	63
A	12
B	33
ØC	69.7
ØD	62.5
E	A/F14
ØN	86
ØU	75
M	77
S	7
Weight (gm)	310

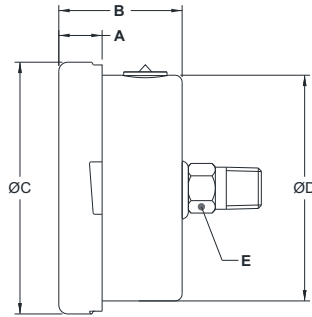
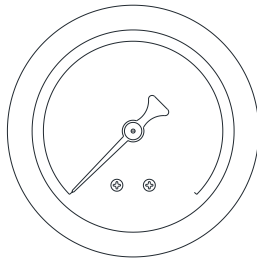
## DRAWING



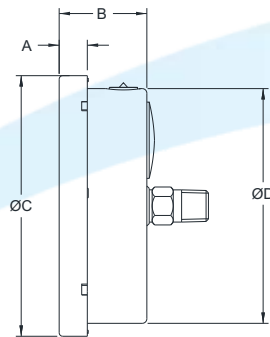
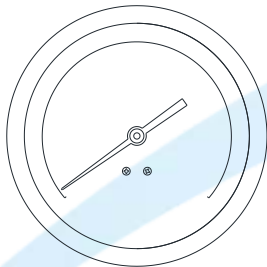
Type - 1B, (Bayonet ring)	
DN	100
A	12
B	38
ØC	111
ØD	100
E	A/F 14
ØN	134
ØU	118
Weight (gm)	480



Type - 2A, (Bayonet ring)		
DN	50	63
A	9	12
B	34	33
ØC	58.5	69.7
ØD	51	62.5
E	A/F14	A/F14
Weight (gm)	140	260

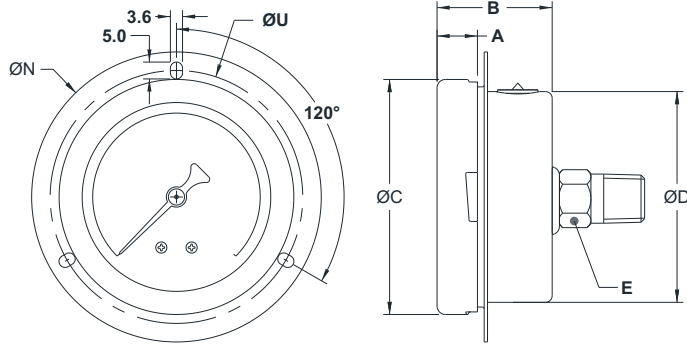


Type 2A, (Rolling ring)		
DN	50	63
A	5	5
B	33.5	31.5
ØC	57.5	68
ØD	51.5	62.5
E	A/F14	A/F14
Weight (gm)	130	250

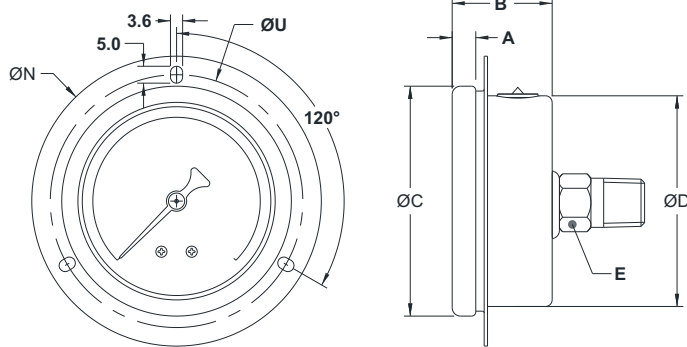


Type 2A, (Bayonet ring)		
DN	80	100
A	9.5	12
B	33.5	38
ØC	89.5	111
ØD	80	100
E	A/F14	A/F14
Weight (gm)	340	410

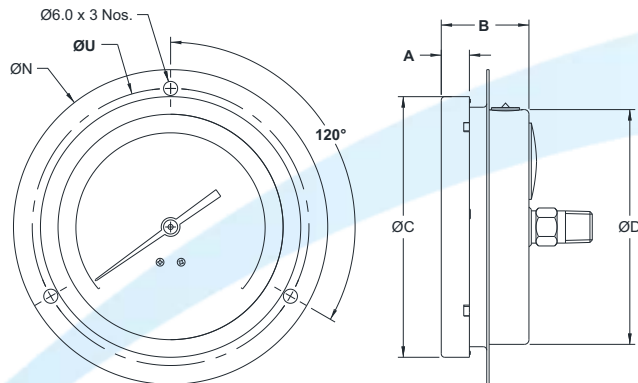
## DRAWING



Type 2C, (Bayonet ring)	
DN	63
A	12
B	33
ØC	69.7
ØD	32.5
E	A/F 14
ØN	86
ØU	75
Weight (gm)	290

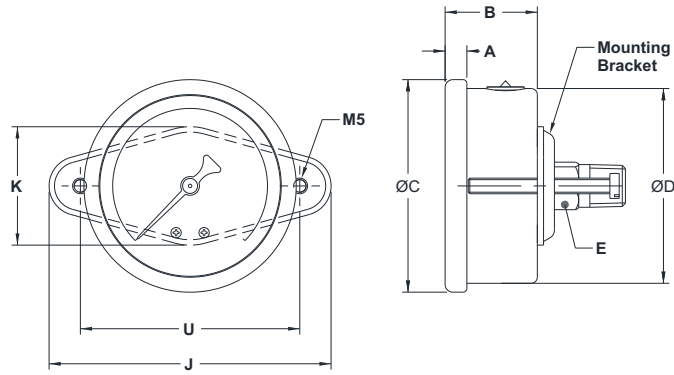


Type 2C, (Rolling ring)	
DN	63
A	5
B	31.5
ØC	68
ØD	62.5
E	A/F 14
ØN	86
ØU	75
Weight (gm)	280

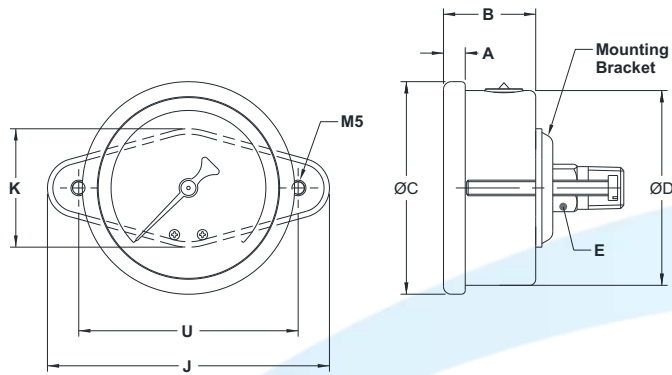


Type 2C, (Bayonet ring)	
DN	100
A	12
B	38
ØC	111
ØD	100
E	A/F 14
ØN	134
ØU	118
M	128
Weight (gm)	520

**DRAWING**



Type 2D, (Bayonet ring)		
DN	50	63
A	5	5
B	33.5	31.5
ØC	57.5	68
ØD	51.5	62.5
E	A/F 14	A/F14
ØU	70.5	70.5
J	91	91
K	38	38
Weight (gm)	160	280



Type 2A, (Rolling ring)		
DN	50	63
A	5	5
B	33.5	31.5
ØC	57.5	68
ØD	51.5	62.5
E	A/F 14	A/F 14
Weight (gm)	130	250

### ORDERING CODE

MP34 - C - XXX - 1A - 2NM - IP2 - E2

1. DIAL SIZE	50 mm / 2"	B				
	63 mm / 2½"	C				
	80 mm / 3"	I				
	100 mm / 4"	D				
2. RANGE	Refer "Range Table"		XXX			
3. MOUNTING PATTERN	Direct, Bottom connection			1A		
	Wall/Surface/Projection mounting, Bottom connection			1B		
	Centre, Back connection			2A		
	Panel/Front flange mounting, Centre Back connection			2C		
	Panel/bracket mounting, Centre Back connection			2D		
4. PROCESS CONNECTION	1/8" NPT (M)				1NM	
	¼" NPT (M)				2NM	
	½" NPT (M)				4NM	
	1/8" BSP (M)				1BM	
	¼" BSP (M)				2BM	
	3/8" BSP (M)				3BM	
	½" BSP (M)				4BM	
	Other thread size and standards available on request. <sup>1</sup>					
5. INGRESS PROCESS	IP 65				IP2	
	IP 66				IP3	
	IP 67				IP4	
6. EXECUTION	Dry					E1
	Dry but fillable					E2
	Dampening liquid filled, glycerine					E4
7. OTHER OPTIONS	Dampening screw, Cu Alloy	DO	Dampened movement	FM	5 - point calibration certificate	SA
	Pointer stop on dial	DZ	Custom designed dial	WR	With Freon temperature scales	F9
	Shatterproof safety glass	FC	Dial tag marking	WT		

Ordering Example : MP34 - C - XXX - 1A - 2NM - IP2 - E2

1. For other connections, please contact factory.