

*Turret Design*

**MIEPL** make High Safety Pressure Gauges are based on the proven Bourdon tube measuring system. On pressurization, the deflection of the Bourdon tube, proportional to the incident pressure, is transmitted to the movement via a link and indicated. The modular design enables a multitude of combinations of case materials, process connections, nominal sizes and scale ranges. This widely used for Petrochemical Industries and Gaseous applications.

**FEATURES**

- ⇒ Solid front with blow out back
- ⇒ All stainless steel system
- ⇒ Dry / liquid filled
- ⇒ Light weight
- ⇒ Stabilized accuracy

**APPLICATION**

- ⇒ Oil & Gas application
- ⇒ High pressure applications
- ⇒ Corrosive & Hazardous environments

**REFERENCE**

- ⇒ EN 837-1

**STANDARD SPECIFICATIONS**

Dial size	: 4.5"
Range	: -1...0...1,600 bar
Mounting pattern	: Direct, Bottom connection
Process connection	: ½" NPT (M) / ½" BSP (M)
Ingress protection	: IP 65
Execution	: Dry but fillable

**STANDARD PARAMETERS**

Accuracy	: ± 0.5%
Ambient Temperature	: -20...+65°C (without dampening liquid) : 10...+65°C (with dampening liquid, glycerin)
Service Temperature	: 120°C max.
Pressure Limits	: Steady pressure up to FS value : Fluctuating pressure up to 90% of FS value : Short time 1.3 x FS value for range up to 100 bar : Short time 1.15 x FS value for range above 100 bar
Weld Joints	: TIG argon arc welding

**MATERIAL OF CONSTRUCTION**

Sensing Element	: Bourdon Tube (<100 bar : C - type , >100 bar : Helical)
Case & Ring Material	: Phenolic resin
Bourdon Tube & Shank	: AISI 316L SS
Movement mechanism	: AISI 304 SS
Dial	: Aluminum, black graduation on white background
Pointer	: Micro-zero adjustable, aluminum, black powder coated
Gaskets & filling plug	: Neoprene / NBR
Blow off disc	: Phenolic resin
Window	: Shatterproof safety glass

**STAD. SPECIFICATIONS: DAMPENING LIQUID FILLED, GLYCERIN**

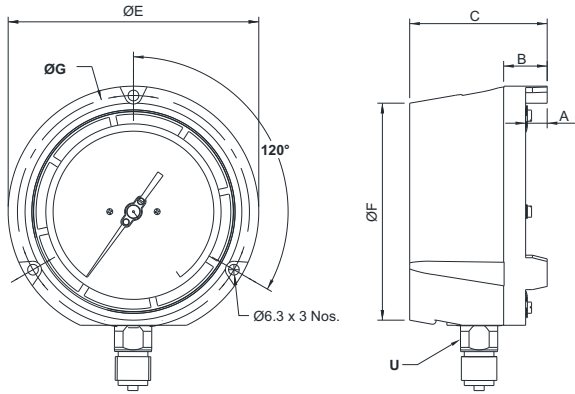
Window	: Shatterproof safety glass
Dampening liquid	: Glycerin 99.7% [Service temperature up to 65°C]

**TEMPERATURE EFFECT**

Please refer clause no 9.3 of EN 837-1

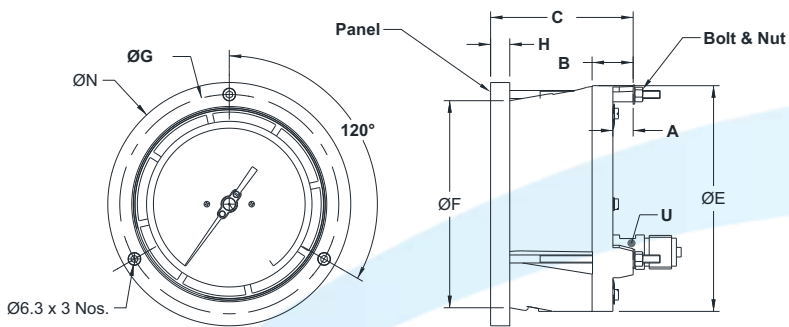
## DRAWING

### DIMENSIONAL DRAWING



Type - 1A, 1B	
DN	115
A	12.5
B	26
$\varnothing C$	82
$\varnothing E$	149
$\varnothing F$	129
G	137
U	A/F 22
Weight (gm)	840

### DIMENSIONAL DRAWING



Type - 2F	
DN	115
A	12.5
B	26
$\varnothing C$	82
$\varnothing E$	149
$\varnothing F$	129
G	137
H	12
U	152
$\varnothing N$	A/F-17
Weight (gm)	940

## ORDERING CODE

MP09 - J - XXX - 1A - 4NM - IP2 - E2

<b>1. DIAL SIZE</b>	4.5"					J
<b>2. RANGE</b>	Refer "Range Table"					XXX
<b>3. MOUNTING PATTERN</b>	Direct, Bottom connection					1A
	Wall/Surface/Projection mounting, Bottom connection					1B
	Panel/Front flange mounting, Lower back connection					2F
<b>4. PROCESS CONNECTION</b>	1/4" BSP (M)					2BM
	1/4" NPT (M)					2NM
	3/8" BSP (M)					3BM
	1/2" BSP (M)					4BM
	M20 X 1.5 mm (M)					4MM
	1/2" NPT (M)					4NM
	3/8" NPT (M)					3NM
	Other thread size and standards available on request. <sup>1</sup>					
<b>5. INGRESS PROTECTION</b>	IP 65					IP2
	IP 66					IP3
	IP 67					IP4
<b>6. EXECUTION</b>	Dry but fillable glycerine					E2
	Dampening liquid filled, glycerine					E4
<b>7. OTHER OPTIONS</b>	Dampening screw, Monel	DM	Monel wetted parts	LN	C.C. with NABL traceability <sup>2</sup>	ST
	Dampening screw, AISI 316 SS	DN	Receiver range	Q9	SS tag plate, AISI 304 SS	WF
	Internal overload stop	DX	5 - point calibration certificate	SA	SS tag plate, AISI 316 SS	WG
	Internal vacuum stop	DY	Material test certificate 3.1	SC	Custom designed dial	WR
	Pointer stop on dial	DZ	Material test certificate 2.2	SM	Dial tag marking	WT
	Plexi glass	FB	Tested to NACE standards	SN	Accuracy ± 1.0% of FS	WB
	AISI 316 SS movement	FL	Certification for Oxygen service	SO		
	Dampened movement	FM	Performance test	SP		

Ordering Example : **MP09 - J - XXX - 1A - 4NM - IP2 - E2**

### Notes :

1. For other connections, please contact factory.
2. C.C = Calibration Certificate