

Miniature Design

MIEPL make High Safety SS Pressure Gauges are based on the proven Bourdon tube measuring system. On pressurization, the deflection of the Bourdon tube, proportional to the incident pressure, is transmitted to the movement via a link and indicated. The modular design enables a multitude of combinations of case materials, process connections, nominal sizes and scale ranges. This also have the facility to adjust the Zero error from externally without opening the Bezel.

**FEATURES**

- Solid front with full blow back
- All stainless steel system
- External zero adjustment
- Dry / liquid filled

APPLICATION

- Oil & Gas application
- High pressure applications
- Corrosive & Hazardous environments
- OEM Requirement

REFERENCE

- EN 837-1

STANDARD SPECIFICATIONS

Dial size	: DN63
Range	: -1...1,000 bar
Mounting pattern	: Direct, Bottom connection
Process connection	: ¼" NPT (M) / ¼" BSP (M)
Ingress protection	: IP 65
Execution	: Dry but fillable

STANDARD PARAMETERS

Accuracy	: CL 1.6
Ambient Temperature	: -40...+65°C (without dampening liquid) : -20...+65°C (with dampening liquid)
Service Temperature	: 300°C max.
Pressure Limits	: Steady pressure up to FS value : Fluctuating pressure up to 90% of FS value : Short time 1.3 x FS value for range up to 100 bar : Short time 1.15 x FS value for range above 100 bar
Weld Joints	: TIG argon arc welding

MATERIAL OF CONSTRUCTION

Sensing Element	: Bourdon Tube (<100 bar : C - type , >100 bar : Helical)
Case & Ring Material	: AISI 304 SS (Bayonet type)
Bourdon Tube & Shank	: AISI 316L SS (Shank welded directly to case)
Movement mechanism	: AISI 304 SS
Dial	: Aluminum, black graduation on white background
Pointer	: Fixed, aluminum, black powder coated
Gaskets & filling plug	: Neoprene / NBR
Window	: Shatterproof safety glass
Blow off disc	: AISI 304 SS
Diaphragm	: NBR

STAND. SPECIFICATIONS: DAMPENING LIQUID FILLED, GLYCERIN

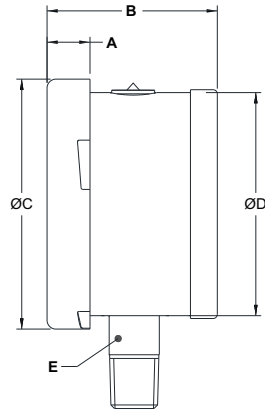
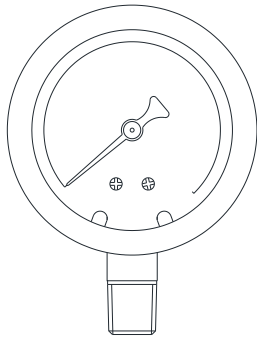
Window	: Shatterproof safety glass
Dampening liquid	: Glycerin 99.7% [Service temperature up to 65°C]

TEMPERATURE EFFECT

Please refer clause no 9.3 of EN 837-1

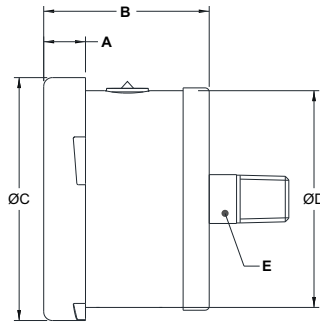
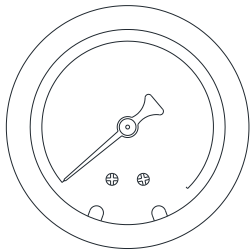
DRAWING

DIMENSIONAL DRAWING



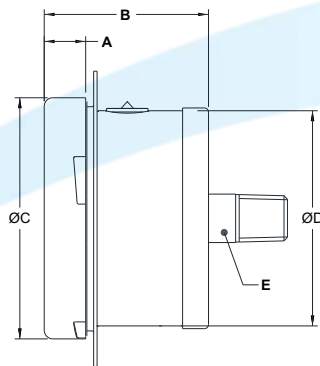
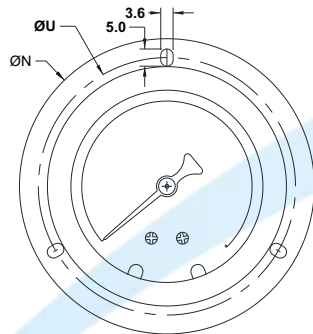
Type - 1A	
DN	63
A	12
B	46
ØC	69.7
ØD	62.2
E	SQ.14
Weight (gm)	330

DIMENSIONAL DRAWING



Type - 2A	
DN	63
A	12
B	46
ØC	69.7
ØD	62.2
E	SQ.14
Weight (gm)	330

DIMENSIONAL DRAWING



Type - 2C	
DN	63
A	12
B	46
ØC	69.7
ØD	62.5
E	SQ.14
ØN	86
ØU	75
Weight (gm)	250

ORDERING CODE

MP08 - C - XXX - 1A - 2NM - IP2 - E2

1. DIAL SIZE	63 mm / 2½"					C
2. RANGE	Refer "Range Table"					XXX
3. MOUNTING PATTERN	Direct, Bottom connection				1A	
	Direct, Centre, Back connection				2A	
	Panel/Front flange mounting, Centre Back connection				2C	
4. PROCESS CONNECTION	¼" NPT (M)				2NM	
	¼" BSP (M)				2BM	
	Other thread size and standards available on request. ¹					
5. INGRESS PROTECTION	IP 65					IP2
	IP 66					IP3
	IP 67					IP4
6. EXECUTION	Dry					E1
	Dry but fillable					E2
	Dampening liquid filled, glycerine					E4
	Dampening liquid filled, silicon oil ³					E5
7. OTHER OPTIONS	Case & Ring in AISI 316 SS (1A)	AA	Rubber parts, Viton	QA	SS tag plate, AISI 304 SS	WF
	Case & Ring in AISI 316 SS (2A)	AG	Vent plug, ON-OFF type	QW	SS tag plate, AISI 316 SS	WG
	Case & Ring in AISI 316 SS (2C)	AI	5 - point calibration certificate	SA	Custom designed dial	WR
	Dampening screw, AISI 316 SS	DN	Helium leak testing	SL	Dial tag marking	WT
	Pointer stop on dial	DZ	Material test certificate 2.2	SM		
	Maximum Reading pointer ²	FW	Certification for oxygen service	SO		
	Epoxy coating (Case & Ring)	O8	Performance test	SP		

Ordering Example : **MP08 - C - XXX - 1A - 2NM - IP2 - E2**

Notes :

1. For other connections, please contact factory.
2. Available in dry version only.
3. Rubber Parts Shall be in viton.