

Piston Operated

MIEPL make Compact design differential pressure gauges are made of highly corrosion-resistant stainless steel and feature an all-metal. A high overload safety is achieved by the all-metal construction and the close-fitting design of the pressure measuring diaphragm. With its high-grade stainless steel construction.

**FEATURES**

- Compact design
- Migrated pressure chambers
- Static pressure up to 200 bar

APPLICATION

- Filtration plants
- Water applications
- Duct & room pressure
- Pumps & Compressors
- Clean room applications

REFERENCE

- EN 837-3

STANDARD SPECIFICATIONS

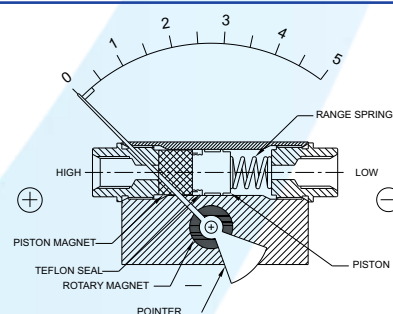
Dial size	: DN63 / DN100 / DN150
Range	: 0...0.25 to 0...10 bar
Mounting pattern	: Direct, In-line connection
Process connection	: 1/4" NPT (F) x 2 Nos
Ingress protection	: IP 65
Execution	: Dry

STANDARD PARAMETERS

Accuracy	: $\pm 2\%$ (Ascending)
Ambient Temperature	: -40...+65°C
Service Temperature	: 80°C max.
Pressure limits	: Steady pressure and over pressure up to FS value from LO to HI side
Static pressure	: 200 bar (Optional : 400 bar)

MATERIAL OF CONSTRUCTION

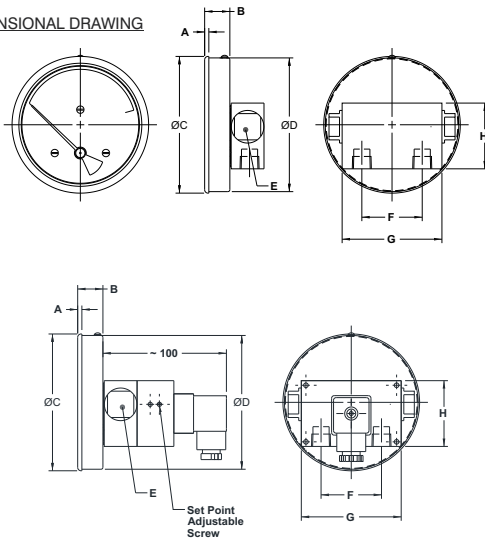
Sensing Element	: Piston
Case	: AISI 304 SS, Push-fit window
Welded parts	: AISI 316 SS Body, Teflon, Ceramic Magnet & SS spring
Movement mechanism	: AISI 304 SS
Dial	: Aluminum, black graduation on white background
Pointer	: Fix, aluminum, black powder coated
Window	: Sheet glass

WORKING PRINCIPLE**Note:**

1. First marking on the scale shall be 20% of FSD.

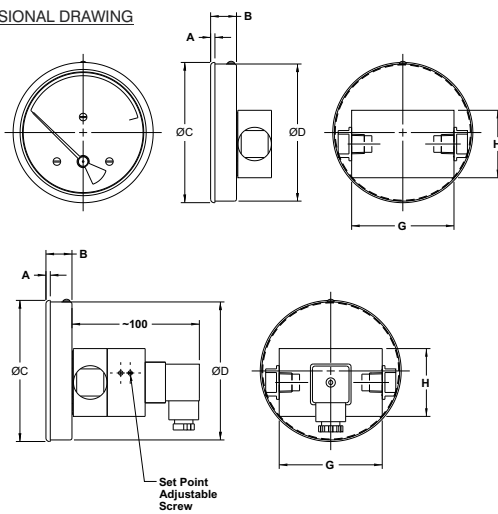
DRAWING

DIMENSIONAL DRAWING



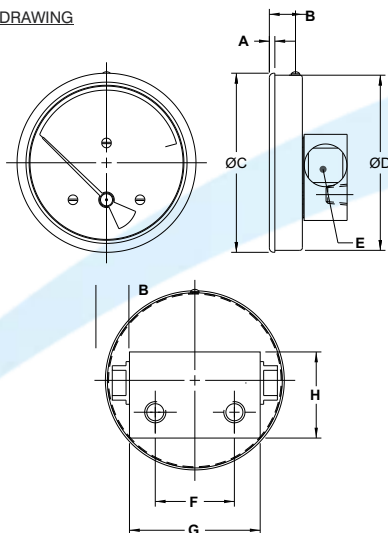
Type - 1A			
DN	63	100	150
A	3.2	3.2	3.2
B	19.5	19.5	19.5
C	66.5	104	155.5
D	62.5	101.5	151.5
E	20	20	20
F	46	46	46
G	76	76	76
H	50	50	50
Weight (gm)	430	460	560

DIMENSIONAL DRAWING



Type - 3A			
DN	63	100	150
A	3.2	3.2	3.2
B	19.5	19.5	19.5
C	66.5	104	155.5
D	62.5	101.5	151.5
G	76	76	76
H	50	50	50
Weight (gm)	410	460	550

DIMENSIONAL DRAWING



Type - 2A			
DN	63	100	150
A	3.2	3.2	3.2
B	19.5	19.5	19.5
C	66.5	104	155.5
D	62.5	101.5	151.5
E	20	20	20
F	46	46	46
G	76	76	76
H	50	50	50
Weight (gm)	400	450	540

All dimensions are in mm.

ORDERING CODE

MP13 - C - XXX - 1A - 2NF - IP2 - E1

1. DIAL SIZE	63 mm	C				
	100 mm	D				
	150 mm	F				
2. RANGE	Refer "Range Table"		XXX			
3. MOUNTING PATTERN	Direct Bottom connection			1A		
	Direct Back connection			2A		
	In-line connection			3A		
4. PROCESS CONNECTION	¼" BSP (F) X 2 Nos.				2BF	
	¼" NPT (F) X 2 Nos.				2NF	
	Other thread size and standards available on request. ¹					
5. INGRESS PROCESS	IP 65					IP2
6. EXECUTION	Dry					E1
	Dampening liquid filled, glycerine					E4
	Dampening liquid filled, silicon oil ²					E5
7. OTHER OPTIONS	Calibration certificate	SB	Dial tag marking	WT	Rubber parts, Viton	QA
	SS tag plate, AISI 316 SS	WG	Maximum Reading pointer	FW	Rubber parts, NBR	QN
	SS tag plate, AISI 304 SS	WF	With 3-Hole front panel	A7		
	Custom designed dial	WR	2" pipe mounting (Except for R0)	WS		

Ordering Example : **MP13 - C - XXX - 1A - 2NF - IP2 - E1**

1. For other connections, please contact factory.
2. Rubber parts shall be in Viton.