

*Bellow*

**MIEPL** make differential pressure gauges are made of highly corrosion-resistant stainless steel and feature an all-metal. This is very suitable for low range application.

**FEATURES**

- All SS measuring system
- Static pressure 40 bar max.
- External Zero adjustment
- Electric contact version
- Suitable for direct valve mounting

**APPLICATION**

- Liquid & gaseous mediums
- Corrosive environments
- Oil & Gas applications
- Chemical & Petrochemical
- Food & Beverages
- Nuclear power plants

**REFERENCE**

- EN 837-3

**STANDARD SPECIFICATIONS**

Dial size	: DN150
Range	: 100 mbar....0...16 bar
Mounting pattern	: Direct, Bottom connection
Process connection	: ½" NPT (M) x 2 Nos.
Ingress protection	: IP 65
Execution	: Dry

**STANDARD PARAMETERS**

Accuracy	: ±1.0 of FS (range≤1 bar), ±1.6 of FS (range≥1 bar)
Ambient Temperature	: -40...+65°C (without dampening liquid)
	: -20...+65°C (with dampening liquid)
Service Temperature	: 100°C max.
Static pressure limits	: 6 bar up to 0.4 bar
	: 25 bar up to 1 bar...2.5 bar
	: 40 bar up to 4 bar...16 bar

**MATERIAL OF CONSTRUCTION**

Sensing Element	: Bellows
Case & Ring Material	: AISI 304 SS (Bayonet type)
Bellows	: AISI 316L SS
Movement mechanism	: AISI 304 SS
Dial	: Aluminum, black graduation on white background
Pointer	: Micro-zero adjustable, aluminum, black powder coated
Gaskets & filling plug	: Neoprene / NBR
Window	: Shatterproof Safety Glass

**STANDARD SPECIFICATIONS : DAMPENING LIQUID FILLED, GLYCERIN**

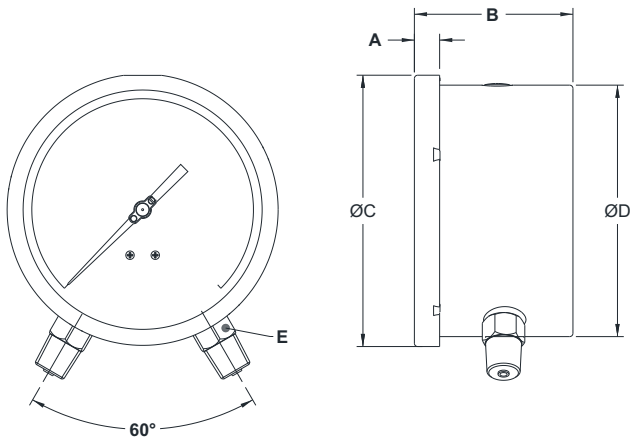
Accuracy	: CL 2.5
Window	: Plexi glass
Dampening liquid	: Glycerin 99.7% [Service temperature up to 65°C]

**STANDARD SPECIFICATIONS : ELECTRIC CONTACT VERSION**

Accuracy	: CL 2.5
Window	: Poly carbonate dome
Switch	: 1NO; Make contact
Electrical termination	: 4 pin connector

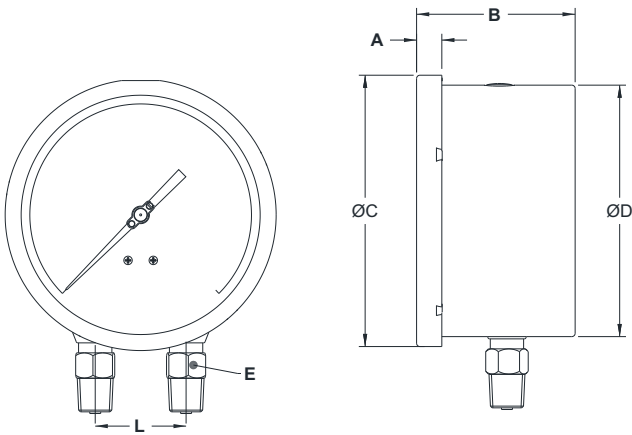
## DRAWING

DIMENSIONAL DRAWING



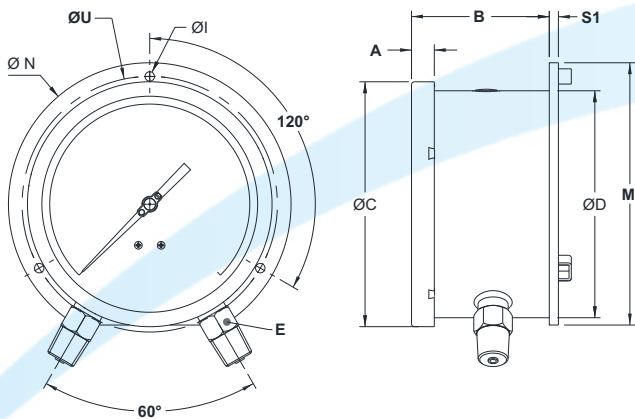
Type - 1A	
DN	150
A	15
B	94
ØC	161
ØD	149
E	A/F 22
Weight (gm)	1840

DIMENSIONAL DRAWING



Type - 1A	
DN	150
A	15
B	94
ØC	161
ØD	149
E	A/F 22
Weight (gm)	1840

DIMENSIONAL DRAWING

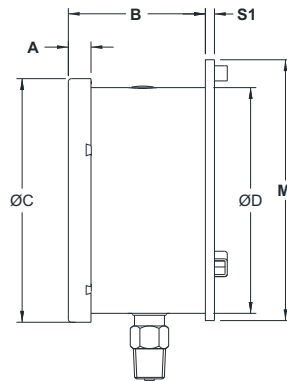
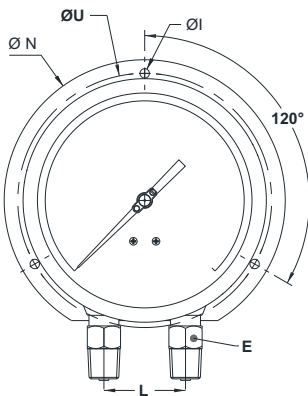


Type - 1B	
DN	150
A	15
B	98
ØC	161
ØD	149
E	A/F-22
ØI	6
M	172
ØN	186
S1	6
U	168
Weight (gm)	2020

All dimensions are in mm.

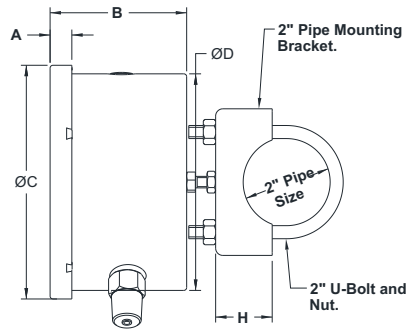
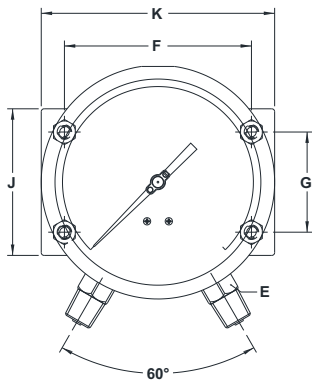
## DRAWING

DIMENSIONAL DRAWING



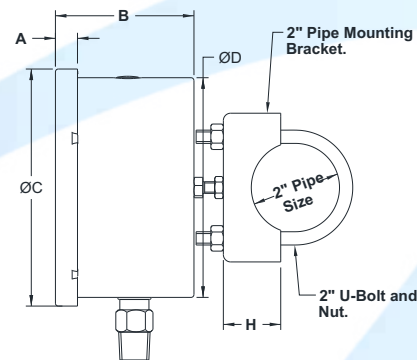
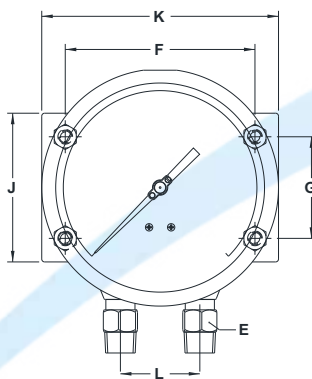
Type - 1B	
DN	150
A	15
B	98
ØC	161
ØD	149
E	A/F-22
ØI	6
M	172
ØN	186
S1	6
U	168
Weight (gm)	2020

DIMENSIONAL DRAWING



Type - 1C	
DN	150
A	15
B	94
ØC	161
ØD	149
E	A/F 22
F	129
G	69
H	39
J	101
K	161
Weight (gm)	2914

DIMENSIONAL DRAWING



Type - 1C	
DN	150
A	15
B	94
ØC	161
ØD	149
E	A/F 22
F	129
G	69
H	39
J	101
K	161
L	54
Weight (gm)	2914

All dimensions are in mm.

## ORDERING CODE

MP12 - F - XXX - 1A - 4NM - IP2 - E1 - 1

1. DIAL SIZE	150 mm						F													
	Refer "Range Table"							XXX												
3. MOUNTING PATTERN	Direct, Bottom connection									1A										
	Wall/Surface/Projection mounting, Bottom connection									1B										
	2" Pipe/Yoke mounting, Bottom connection									1C										
4. PROCESS CONNECTION	½" BSP (M) x 2 Nos.												4BM							
	M20 x 1.5 mm (M) x 2 Nos.												4MM							
	½" NPT (M) x 2 Nos.												4NM							
	Other thread size and standards available on request. <sup>1</sup>																			
5. INGRESS PROCESS	IP 65												IP2							
6. EXECUTION	Dry																		E1	
	Dampening liquid filled, glycerine																			E4
	Dampening liquid filled, silicon oil <sup>3</sup>																			E5
	Pattern 1 (Angular : 60° apart)																			1
	Pattern 2 (Straight : C-C = 54mm)																			
7. CHAMBER TYPE	Economic contacts																			ECO C
	Precision contacts																			
8. ELECTRIC CONTACT	Break contact (1NC)																			ECS1
	Make contact (1NO)																			ECS2
	2 x Break contact (2NC)																			ECS3
9. SWITCH CATEGORY	2 x Make contact (2NO)																			ECS4
	1 Break + 1 Make (1NC+1NO)																			ECS5
	1 Make + 1 Break (1NO+1NC)																			ECS6
10. OTHER OPTIONS	Case & Ring in AISI 316 SS (1A)	AA	Vent plug, ON-OFF type	QW	Dial tag marking	WT														
	Case & Ring in AISI 316 SS (1B)	AB	5 - point calibration certificate	SA																
	Case & Ring in AISI 316 SS (1C)	AC	Material test certificate 3.1	SC																
	Case & Ring in AISI 316 SS (2C)	AI	Material test certificate 2.2	SM																
	AISI 316 SS movement	FL	SS tag plate, AISI 304 SS	WF																
	6 pin, M20 x 1.5 mm connector	F6	SS tag plate, AISI 316 SS	WG																
	Rubber parts, Viton	QA	Custom designed dial	WR																

Ordering Example : **MP12 - F - XXX - 1A - 4NM - IP2 - E2 - 1**

- 1. For other connections, please contact factory.
- 2. Electric contacts are available from range 0...1 bar
- 3. Rubber parts shall be in Viton.