

## Capsule

**MIEPL** make SS Low Pressure Gauge measuring system. This Pressure Gauge are used in Low pressure application area in liquid and gaseous , Chemical and Petrochemical, Food and Beverages, Oil and Gas industries.



## FEATURES

- ⇒ All SS measuring system
- ⇒ Socket-case, direct welded
- ⇒ Low pressure application (<0.6 bar)
- ⇒ Zero adjustment on dial

## APPLICATION

- ⇒ Liquid & gaseous mediums
- ⇒ Corrosive environments
- ⇒ Oil & Gas applications
- ⇒ Chemical & Petrochemical
- ⇒ Food & Beverages
- ⇒ Nuclear power plants

## REFERENCE

- ⇒ EN 837-3

## STANDARD SPECIFICATIONS

Dial size	: DN63 / DN100 / DN125 / DN150
Range	: -600...25...600 mbar : 6...16 mbar (available in DN 150) : 100...600 mbar (available in liquid dampening)
Mounting pattern	: Direct, Bottom connection
Process connection	: ½" NPT (M)
Ingress protection	: IP 54
Execution	: Dry

## STANDARD PARAMETERS

Accuracy	: CL 1.6
Ambient Temperature	: -40...+65°C
Service Temperature	: 150°C max.
Pressure limits	: Steady pressure up to FS value : Fluctuating pressure up to 90% of FS value
Weld joints	: TIG argon arc welding

## MATERIAL OF CONSTRUCTION

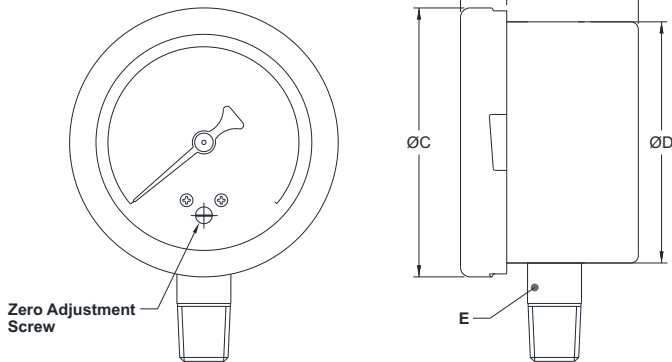
Sensing Element	: Welded capsule
Case & Ring material	: AISI 304 SS (Bayonet type)
Capsule	: AISI 316 SS
Shank	: AISI 316L SS (Welded directly to case)
Movement mechanism	: AISI 304 SS
Dial	: Aluminum, black graduation on white background : with external zero adjustment on dial
Pointer	: Fixed, aluminum, black powder coated
Gaskets, Blow off disc & filling plug	: Neoprene
Window	: Sheet glass

## TEMPERATURE EFFECT

Please refer clause no 9.3 of EN 837-1

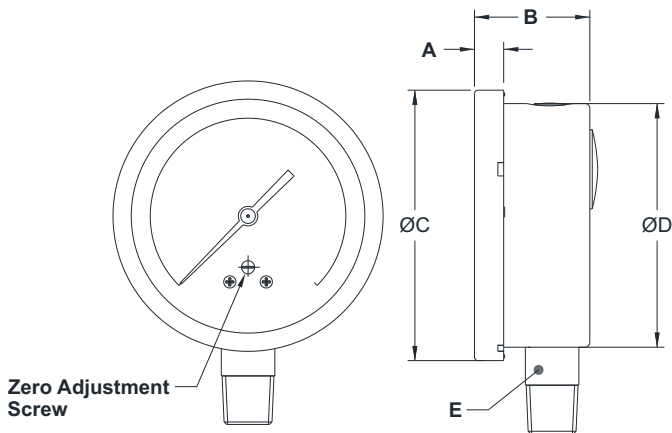
**DRAWING**

DIMENSIONAL DRAWING



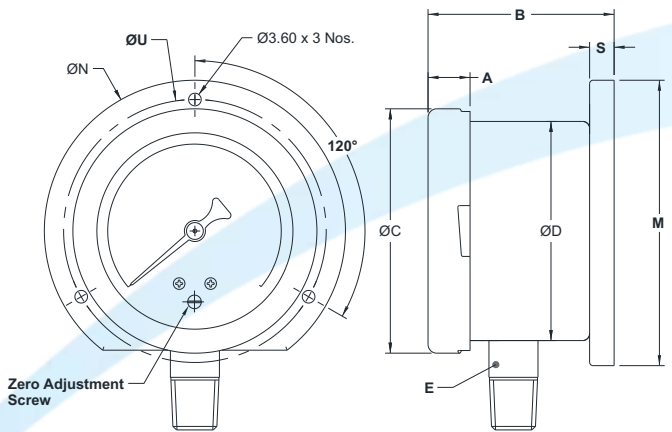
Type - 1A	
DN	63
A	12
B	43
ØC	70
ØD	62.5
E	SQ.14
Weight (gm)	250

DIMENSIONAL DRAWING



Type - 1A			
DN	100	125	150
A	12	15	15
B	48	48	48
ØC	111	129	161
ØD	100	118.5	149
E	SQ.22	SQ. 22	SQ. 22
Weight (gm)	540	730	950

DIMENSIONAL DRAWING

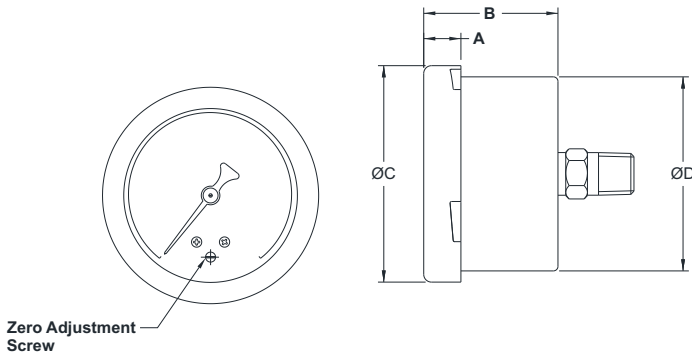


Type - 1B	
DN	63
A	12
B	42
ØC	70
ØD	62.5
E	SQ. 14
ØN	86
ØU	75
M	77
S	7
Weight (gm)	300

All dimensions are in mm.

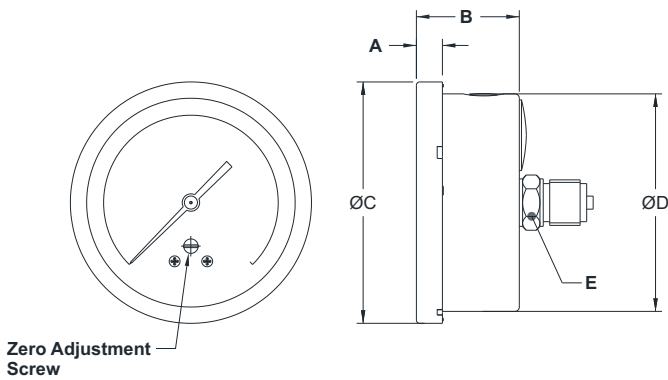
### DRAWING

DIMENSIONAL DRAWING



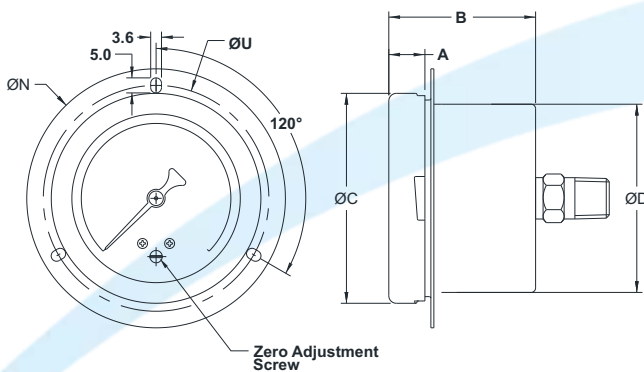
Type - 2A	
DN	63
A	12
B	43
ØC	69.7
ØD	62.5
Weight (gm)	230

DIMENSIONAL DRAWING



Type - 2A			
DN	100	125	150
A	12	15	15
B	48	48	48
ØC	111	129	161
ØD	100	118.5	149
E	SQ.22	SQ. 22	SQ. 22
Weight (gm)	530	720	940

DIMENSIONAL DRAWING

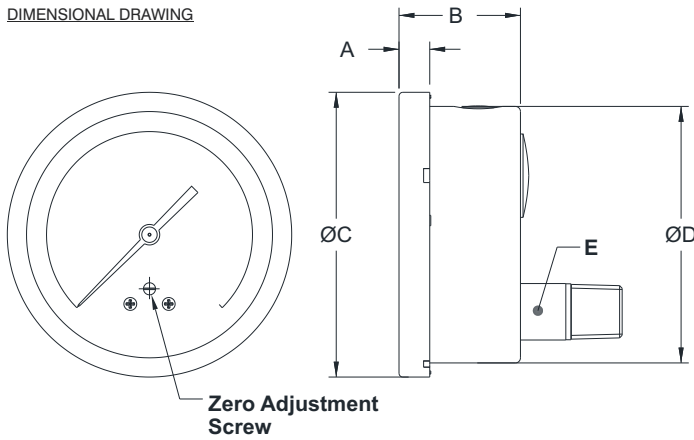


Type - 2C	
DN	63
A	12
B	43
ØC	69.7
ØD	62.5
N	86
U	75
Weight (gm)	250

All dimensions are in mm.

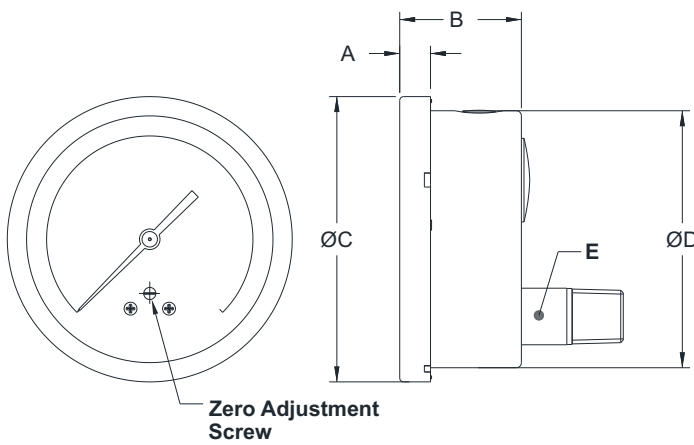
## DRAWING

DIMENSIONAL DRAWING



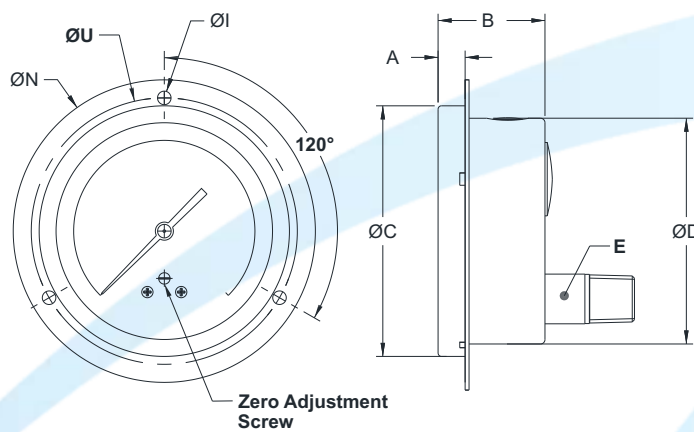
Type - 2E			
DN	100	125	150
A	12	15	15
B	48	48	48
ØC	111	129	161
ØD	100	118.5	149
E	SQ.22	SQ. 22	SQ. 22
Weight (gm)	540	730	950

DIMENSIONAL DRAWING



Type - 2F			
DN	100	125	150
A	12	15	15
B	48	48	48
ØC	111	129	161
ØD	100	118.5	149
E	SQ. 22	SQ. 22	SQ. 22
I	6	6	6
ØN	134	118	186
ØU	118	137	168
Weight (gm)	620	830	2470

DIMENSIONAL DRAWING



Type - 2G			
DN	100	125	150
A	12	15	15
B	48	48	48
ØC	111	129	161
ØD	100	118.5	149
E	SQ. 22	SQ. 22	SQ. 22
J	72	75	106.5
K	16	15	16
V	108	125	158.5
Weight (gm)	640	830	1100

## ORDERING CODE

MP20 - D - XXX - 1A - 4NM - IP1 - E1

1. DIAL SIZE	63 mm / 2½"	C				
	100 mm	D				
	150 mm	F				
2. RANGE	Refer "Range Table"					XXX
3. MOUNTING PATTERN	Direct Bottom connection				1A	
	Wall/Surface/Projection mounting, Bottom connection				1B	
	2" Pipe/Yoke mounting, Bottom connection				1C	
	Panel/Front flange mounting, Bottom connection				1D	
	Centre, Back connection				2A	
	Panel/Front flange mounting, Centre back connection				2C	
	Lower, Back connection				2E	
	Panel/Front flange mounting, Lower Back connection				2F	
4. PROCESS CONNECTION	Panel/bracket mounting, Lower Back connection				2G	
	¼" BSP (M)					2BM
	¼" NPT (M)					2NM
	3/8" BSP (M)					3BM
	½" BSP (M)					4BM
	M20 X 1.5 mm (M)					4MM
	½" NPT (M)					4NM
5. INGRESS PROCESS	Other thread size and standards available on request.¹					
6. EXECUTION	IP 54					IP1
	Dry					E1
7. OTHER OPTIONS	Dampening liquid filled, glycerine					E4
	(0...100 mbar up to 0...600 mbar or equivalent)					
7. OTHER OPTIONS	Case & Ring in AISI 316 SS (1A)	AA	Case & Ring in AISI 316 SS (2G)	AM	Material test certificate 2.2	SM
	Case & Ring in AISI 316 SS (1B)	AB	Dampening screw, AISI 316 SS	DN	Certification for Oxygen service	SO
	Case & Ring in AISI 316 SS (1C)	AC	Plexi glass	FB	SS tag plate, AISI 304 SS	WF
	Case & Ring in AISI 316 SS (1D)	AD	Shatterproof safety glass	FC	SS tag plate, AISI 316 SS	WG
	Case & Ring in AISI 316 SS (2A)	AG	AISI 316 SS movement	FL	Custom designed dial	WR
	Case & Ring in AISI 316 SS (2C)	AI	Vent plug, ON-OFF type	QW	Dial tag marking	WT
	Case & Ring in AISI 316 SS (2E)	AK	5 - point calibration certificate	SA		
	Case & Ring in AISI 316 SS (2F)	AL	Material test certificate 3.1	SC		

Ordering Example : **MP20 - D - XXX - 1A - 4NM - IP1 - E1**

1. For other connections, please contact factory.
2. Case & Ring in AISI 316 SS from DN100 onwards.
3. DN63 available in mounting pattern 1A and 2A.
4. DN63 available with ¼" connections. Other connections through adaptors.